

KombiSIGN 50 / Accessories

Base for surface mounting BM BK**Part No.:** 975.845.01**MECHANICAL DATA**

Height	37 mm
Diameter	70 mm
Materials	PA-GF
Housing colour	Black
Weight with packaging	36 g
Product weight	35 g

APPROVAL DATA

WEEE	No
Conforms with RED directive	No
Conforms with ATEX-directive	No
Conforms with CCC	No
Conforms with UL	No
Conforms with FCC	No
Conforms with IC	No
EAC certificate available	No
Conforms with AS-I	No
ICAO Certification	No
Conforms with DNV	No
Conforms with RoHS CN	No

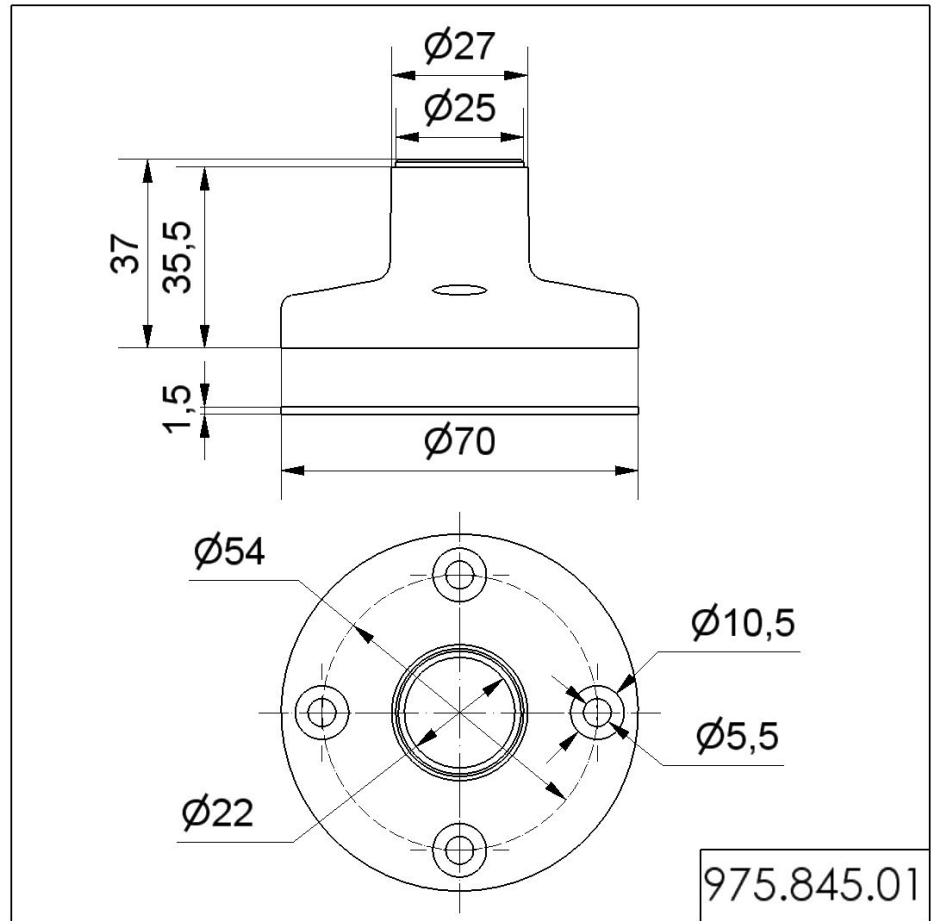


For additional installation and mounting information, refer to the appropriate user guide at www.werma.com. This printed copy is for information only and is subject to alteration.

KombiSIGN 50 / Accessories

Base for surface mounting BM BK

DRAWING



! For additional installation and mounting information, refer to the appropriate user guide at www.werma.com. This printed copy is for information only and is subject to alteration.